



Washroom & Cubicle Systems  
**For superior aesthetics**

# X5:80

- 50 **X5:80 overview**
- 52 **X5:80 cubicles**
- 54 **X5:80 specifications**

# X5:80

## Superior privacy, superb aesthetics.

Trovex X5:80 is the washroom system sporting enhanced privacy and stunning looks. Boasting a prestigious feel, X5:80 is ideal for washrooms in executive, hospitality and leisure settings, as well as high-profile areas in education and other sectors.



# X5:80 cubicles

- › Narrower floor gap for enhanced privacy
- › Pedestals fixed to divisions for improved streamlined look
- › Increased height of divisions for better user privacy
- › Complementary vanity unit and duct panelling options for an integrated premium feel
- › Wide choice of colour schemes available (see page 57)
- › Durable SGL (solid-grade laminate) panels

See page 57 or speak to an advisor today to discuss your choice of colour scheme **01707 254 170**



www.trovex.com/product/trovex-gallery

# X5:80 specifications

## Cubicles

### X5:80 WC cubicle

2100mm overall height a/FFL including 100mm floor clearance.  
1500mm maximum recommended depth of cubicle.

### Core material

SGL 12mm thick solid-grade laminate, colours from Trovex standard range of colours.

### Edge material

SGL Radiused and polished.

### Headrail

Polished anodised aluminium extrusion, bullnosed profile, end caps where applicable.

### Pedestal

Polished anodised aluminium casting with bolt through fixing to panel and adjustment to accommodate uneven floors.

### Ironmongery

Polished anodised aluminium anti-finger trap, rise and fall hinge, DDA compliant indicator bolt with emergency-release facility, coat hook and anti-tamper toilet roll holder.

### Accessories

Coat hooks and toilet roll holders, and other sanitaryware items as per the Trovex Product Guide.

## Duct panelling

### X5:80 WC duct panelling

Panels built to suit site dimensions hung on concealed clips which locate in groove on flashgap panels, screw-fixed to 44mm x 44mm PSE softwood frame (supplied by others). Panels commence 100mm a/FFL to allow for skirting detail (by others), with three height options: full-height, cubicle-height or low-level.

### Core material

SGL 12mm thick solid-grade laminate, colours from Trovex standard range of colours.

### Edge material

SGL Radiused and polished.

### Accessories

All clips and fixings supplied with panels.

## Vanity units

### X5:80 vanity unit

Vanity unit for vanity basins with top at 800mm a/FFL to horizontal surface, complete with laminated softwood frame and ply plinth and front access panels mounted to frame.

### TOP

### Core material

SGL 12mm thick solid-grade laminate, colours from Trovex standard range of colours.

HPL 18mm MR/MDF postformed to all long edges with 100mm rear upstand and 200mm front apron, colours from Trovex standard range of colours.

### Frame

Laminate-faced 44mm x 44mm PSE softwood frame pre-assembled with access panels and 100mm high raw ply plinth.

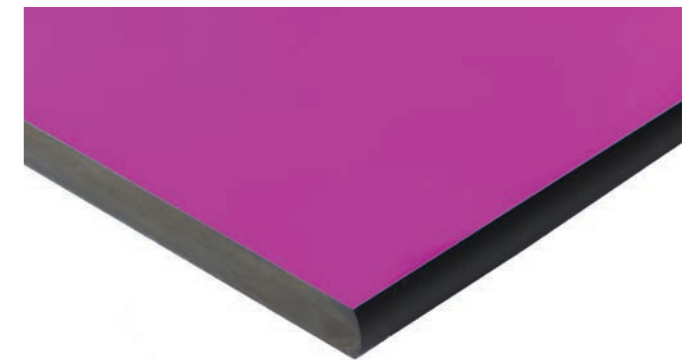
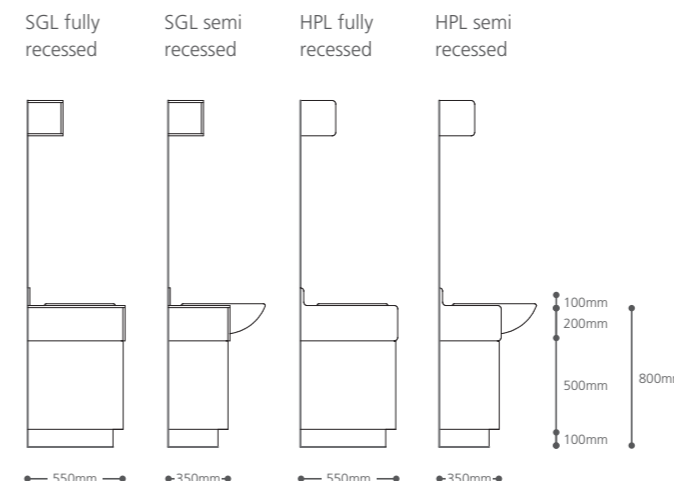
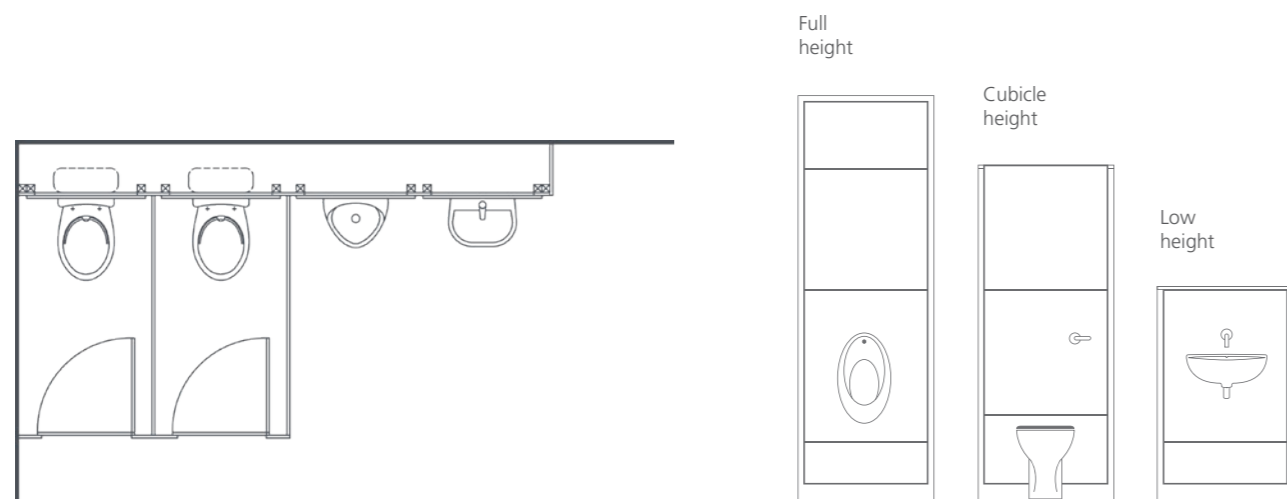
### ACCESS PANEL

### Core material

SGL 12mm thick solid-grade laminate, colours from Trovex standard range of colours.

### Edge material

SGL Radiused and polished.



### SGL panels › Solid-grade laminate

Totally impervious solid-grade laminate with black radiused and polished edges. 12mm panel thickness. Ideal for wet and dry environments.